

38296-PL

RC Battery Connector, Amass XT60H 2 Pin Mating Pair

Mating Pair of 60A Power Connectors for RC Models.
Amass Style XT60H Male & Mating Female connector
with snap on cover for the wire side of the connector.

Pins: Gold Plated Brass

Body: PA nylon (polyamide)

Continuous Current: 30A Max

Instantaneous Current: 60A

Max Voltage: 500V

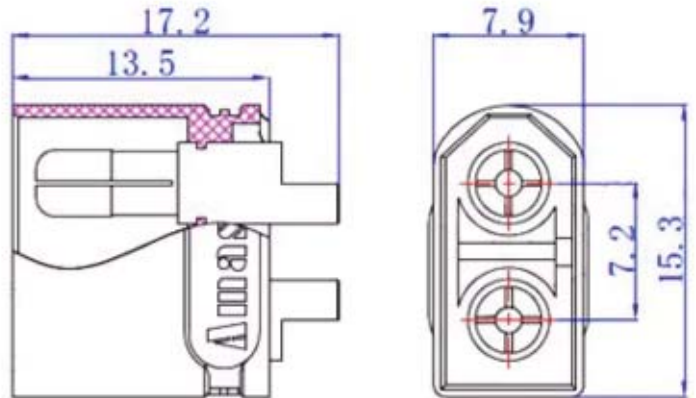
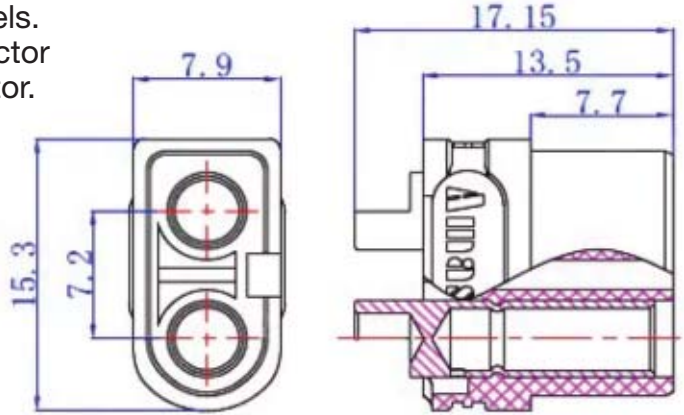
Initial Resistance: ~.55mΩ

Connections: Solder Cup

Wire: 12AWG

Operating Temp: -20°C to 120°C

L: 17.2mm **W:** 15.3mm **H:** 8mm **WT:** .02/pair



WIRE COVER NOT SHOWN

Information including Drawings, Schematics, Links and Code (Software) Supplied or Referenced in this Document is supplied by MPJA inc. as a service to our customers and accuracy or usefulness is not guaranteed nor is it an Endorsement of any particular part, supplier or manufacturer. Use of information and suitability for any application is at users own discretion and user assumes all risk.

Information Subject to Change Without Notice
All rights are retained by the respective Owners/Author(s)



MARLIN P. JONES & ASSOC., INC.

P.O. Box 530400 Lake Park, FL 33403

800-652-6733 FAX 561-844-8764

WWW.MPJA.COM